

## DATA SHEET

### MODULETEK: SFP-10G-DWDM-100KM-xx.xx-x-D10

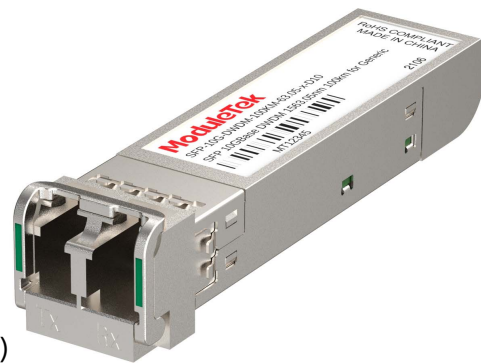
10GBASE DWDM 100km SFP+ Transceiver

#### SFP-10G-DWDM-100KM-xx.xx-x-D10 Overview

ModuleTek's SFP-10G-DWDM-100KM-xx.xx-x-D10 SFP+ optical transceivers are based on 10G Ethernet and SFF-8431 standard, providing a fast and reliable interface for 10G DWDM applications. The product implements digital diagnostics via a 2-wire serial bus, compliant with the SFF-8472 standard.

#### Product Features

- Up to 11.3 Gb/s bi-directional data links
- Compliant with 10GBASE-ZR
- Compliant with 10G FC 1200-SM-LL-L
- Compliant with SFF-8431
- Hot-pluggable SFP+ footprint
- Temperature-stabilized DWDM EML laser
- Receiver with APD
- Duplex LC connector
- Built-in digital diagnostic functions
- Up to 100km on SMF
- Single power supply 3.3V
- Low power consumption
- RoHS Compliant
- Operating temperature range (Case Temperature)  
Commercial Level : 0°C to 70°C  
Industrial Level : -40°C to 85°C



#### Applications

- 10G Ethernet
- 10G SONET/SDH
- 4x, 8x and 10x Fibre Channel
- OTN G.709 OUT 1e/2/2e FEC bit rates
- CPRI option 2 through 8

## Ordering Information

Part Number	Product ID	Description	Color on Clasp
SFP-10G-DWDM-100KM-xx.xx-C-D10	M336801	10 GBASE-DWDM SFP+, DWDM-C Band (ITU 100GHz Grid), 100km over SMF, Commercial Temperature with DOM	Green
SFP-10G-DWDM-100KM-xx.xx-I-D10	M336802	10 GBASE-DWDM SFP+, DWDM-C Band (ITU 100GHz Grid), 100km over SMF, Industrial temperature with DOM	Green
Note: 1.Product ID is the abbreviated order number of our company's standard model			

### For More Information:

ModuleTek Limited

Web : [www.moduletek.com](http://www.moduletek.com)

Email : [sales@moduletek.com](mailto:sales@moduletek.com)

## Product Selection

Product number	Description	ITU channel
SFP-10G-DWDM-100KM-63.86-x-D10	10GBASE-DWDM 100KM, 1563.86 nm SFP+	C17
SFP-10G-DWDM-100KM-63.05-x-D10	10GBASE-DWDM 100KM, 1563.05 nm SFP+	C18
SFP-10G-DWDM-100KM-62.23-x-D10	10GBASE-DWDM 100KM, 1562.23 nm SFP+	C19
SFP-10G-DWDM-100KM-61.42-x-D10	10GBASE-DWDM 100KM, 1561.42 nm SFP+	C20
SFP-10G-DWDM-100KM-60.61-x-D10	10GBASE-DWDM 100KM, 1560.61 nm SFP+	C21
SFP-10G-DWDM-100KM-59.79-x-D10	10GBASE-DWDM 100KM, 1559.79 nm SFP+	C22
SFP-10G-DWDM-100KM-58.98-x-D10	10GBASE-DWDM 100KM, 1558.98 nm SFP+	C23
SFP-10G-DWDM-100KM-58.17-x-D10	10GBASE-DWDM 100KM, 1558.17 nm SFP+	C24
SFP-10G-DWDM-100KM-57.36-x-D10	10GBASE-DWDM 100KM, 1557.36 nm SFP+	C25
SFP-10G-DWDM-100KM-56.55-x-D10	10GBASE-DWDM 100KM, 1556.55 nm SFP+	C26
SFP-10G-DWDM-100KM-55.75-x-D10	10GBASE-DWDM 100KM, 1555.75 nm SFP+	C27
SFP-10G-DWDM-100KM-54.94-x-D10	10GBASE-DWDM 100KM, 1554.94 nm SFP+	C28
SFP-10G-DWDM-100KM-54.13-x-D10	10GBASE-DWDM 100KM, 1554.13 nm SFP+	C29
SFP-10G-DWDM-100KM-53.33-x-D10	10GBASE-DWDM 100KM, 1553.33 nm SFP+	C30
SFP-10G-DWDM-100KM-52.52-x-D10	10GBASE-DWDM 100KM, 1552.52 nm SFP+	C31
SFP-10G-DWDM-100KM-51.72-x-D10	10GBASE-DWDM 100KM, 1551.72 nm SFP+	C32
SFP-10G-DWDM-100KM-50.92-x-D10	10GBASE-DWDM 100KM, 1550.92 nm SFP+	C33
SFP-10G-DWDM-100KM-50.12-x-D10	10GBASE-DWDM 100KM, 1550.12 nm SFP+	C34

SFP-10G-DWDM-100KM-49.32-x-D10	10GBASE-DWDM 100KM, 1549.32 nm SFP+	C35
SFP-10G-DWDM-100KM-48.51-x-D10	10GBASE-DWDM 100KM, 1548.51 nm SFP+	C36
SFP-10G-DWDM-100KM-47.72-x-D10	10GBASE-DWDM 100KM, 1547.72 nm SFP+	C37
SFP-10G-DWDM-100KM-46.92-x-D10	10GBASE-DWDM 100KM, 1546.92 nm SFP+	C38
SFP-10G-DWDM-100KM-46.12-x-D10	10GBASE-DWDM 100KM, 1546.12 nm SFP+	C39
SFP-10G-DWDM-100KM-45.32-x-D10	10GBASE-DWDM 100KM, 1545.32 nm SFP+	C40
SFP-10G-DWDM-100KM-44.53-x-D10	10GBASE-DWDM 100KM, 1544.53 nm SFP+	C41
SFP-10G-DWDM-100KM-43.73-x-D10	10GBASE-DWDM 100KM, 1543.73 nm SFP+	C42
SFP-10G-DWDM-100KM-42.94-x-D10	10GBASE-DWDM 100KM, 1542.94 nm SFP+	C43
SFP-10G-DWDM-100KM-42.14-x-D10	10GBASE-DWDM 100KM, 1542.14 nm SFP+	C44
SFP-10G-DWDM-100KM-41.35-x-D10	10GBASE-DWDM 100KM, 1541.35 nm SFP+	C45
SFP-10G-DWDM-100KM-40.56-x-D10	10GBASE-DWDM 100KM, 1540.56 nm SFP+	C46
SFP-10G-DWDM-100KM-39.77-x-D10	10GBASE-DWDM 100KM, 1539.77 nm SFP+	C47
SFP-10G-DWDM-100KM-38.98-x-D10	10GBASE-DWDM 100KM, 1538.98 nm SFP+	C48
SFP-10G-DWDM-100KM-38.19-x-D10	10GBASE-DWDM 100KM, 1538.19 nm SFP+	C49
SFP-10G-DWDM-100KM-37.40-x-D10	10GBASE-DWDM 100KM, 1537.40 nm SFP+	C50
SFP-10G-DWDM-100KM-36.61-x-D10	10GBASE-DWDM 100KM, 1536.61 nm SFP+	C51
SFP-10G-DWDM-100KM-35.82-x-D10	10GBASE-DWDM 100KM, 1535.82 nm SFP+	C52
SFP-10G-DWDM-100KM-35.04-x-D10	10GBASE-DWDM 100KM, 1535.04 nm SFP+	C53
SFP-10G-DWDM-100KM-34.25-x-D10	10GBASE-DWDM 100KM, 1534.25 nm SFP+	C54
SFP-10G-DWDM-100KM-33.47-x-D10	10GBASE-DWDM 100KM, 1533.47 nm SFP+	C55
SFP-10G-DWDM-100KM-32.68-x-D10	10GBASE-DWDM 100KM, 1532.68 nm SFP+	C56
SFP-10G-DWDM-100KM-31.90-x-D10	10GBASE-DWDM 100KM, 1531.90 nm SFP+	C57
SFP-10G-DWDM-100KM-31.12-x-D10	10GBASE-DWDM 100KM, 1531.12 nm SFP+	C58
SFP-10G-DWDM-100KM-30.33-x-D10	10GBASE-DWDM 100KM, 1530.33 nm SFP+	C59
SFP-10G-DWDM-100KM-29.55-x-D10	10GBASE-DWDM 100KM, 1529.55 nm SFP+	C60
SFP-10G-DWDM-100KM-28.77-x-D10	10GBASE-DWDM 100KM, 1528.77 nm SFP+	C61

## General Specifications

Parameter	Symbol	Min	Typ	Max	Unit	Remarks
Data Rate	DR	1.2	10.3125	11.3	Gb/s	1
Bit Error Rate	BER			$10^{-12}$		
Operating Temperature	T <sub>C</sub>	0		70	°C	2, 5
	T <sub>I</sub>	-40		85	°C	2, 6
Storage Temperature	T <sub>STO</sub>	-40		85	°C	3
Supply Current	I <sub>CC</sub>		350	450	mA	4
Input Voltage	V <sub>CC</sub>	3.14	3.3	3.46	V	
Maximum Voltage	V <sub>MAX</sub>	0.5		4	V	4

### Notes:

1. IEEE 802.3ae
2. Case temperature
3. Ambient temperature
4. For electrical power interface
5. Commercial Level
6. Industrial Level

## Link Distances

Data Rate	Fiber Type	Distance Range (km)
1.2-11.3 Gb/s	9/125um SMF	100

## Optical - Characteristics - Transmitter

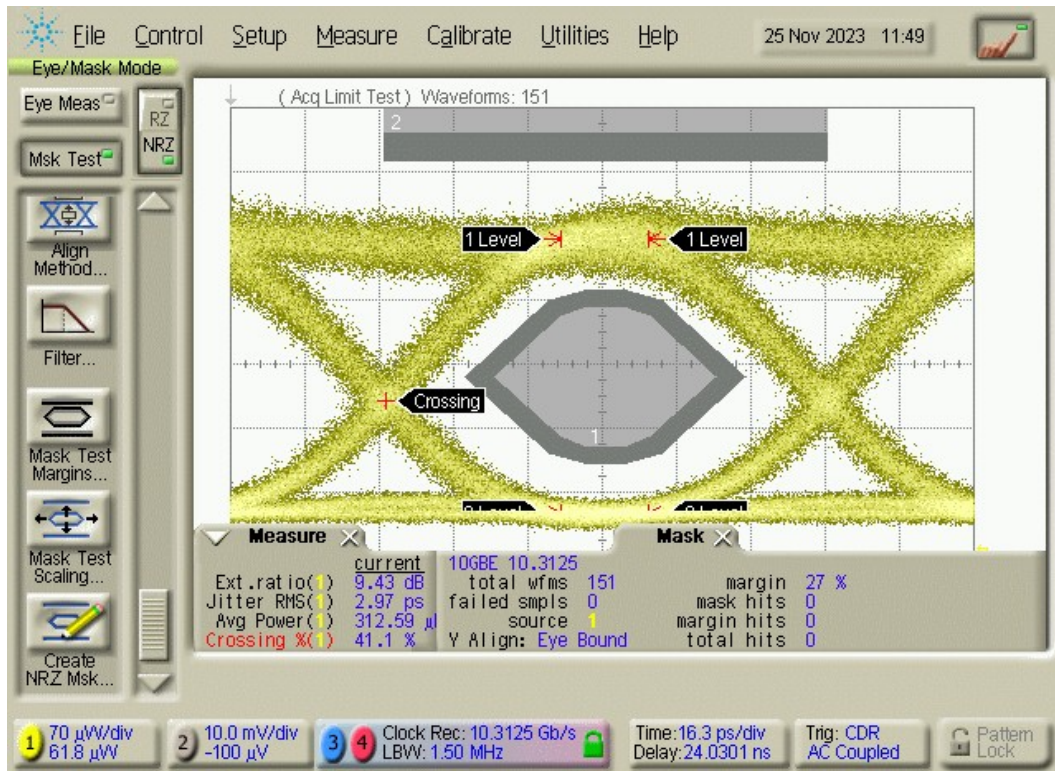
$V_{CC}=3.14V$  to  $3.46V$ ,  $T_C$

Parameter	Symbol	Min	Typ	Max	Unit	Remarks
Output Optical Power	$P_{TX}$	1.5		4	dBm	1
Optical Center Wavelength	$\lambda_C$	$\lambda_C-0.1$	$\lambda_C$	$\lambda_C+0.1$		2
Extinction Ratio	ER	9			dB	
Spectral Width (-20dB)	$\Delta\lambda$			0.6	nm	
Side Mode Suppression Ratio	SMSR	30			dB	
Relative Intensity Noise	RIN			-128	dB/Hz	
Transmitter Dispersion Penalty	TDP			4	dB	
Launch Power of OFF Transmitter	$P_{OUT\_OFF}$			-30	dBm	1

**Notes:**

1. Average
2.  $\lambda$  = specified ITU Grid wavelength

## Typical eye diagram



## Optical - Characteristics - Receiver

$V_{CC}=3.14V$  to  $3.46V, T_C$

Parameter	Symbol	Min	Typ	Max	Unit	Remarks
Optical Center Wavelength	$\lambda_C$	1260		1620	nm	
Average Receive Power	$P_{RX}$	-25		-7	dBm	
Receiver Sensitivity @10.3Gb/s	$R_{X\_SEN1}$			-25	dBm	1
Receiver Reflectance	$TR_{RX}$			-27	dB	
LOS Assert	$LOS_A$	-35			dBm	
LOS De-Assert	$LOS_D$			-27	dBm	
LOS Hysteresis	$LOS_H$	0.5			dB	

### Notes:

1. Measured with the PRBS  $2^{31}-1$  test mode, BER  $< 10^{-12}$ ;

## Electrical - Characteristics - Transmitter

$V_{CC}=3.14V$  to  $3.46V, T_C$

Parameter	Symbol	Min	Typ	Max	Unit	Remarks
Input differential impedance	$R_{IN}$		100		$\Omega$	
Differential data input swing	$V_{IN\_PP}$	300		850	mV	
Transmit Disable Voltage	$V_D$	2		$V_{CC}$	V	
Transmit Enable Voltage	$V_{EN}$	$V_{EE}$		$V_{EE}+0.8$	V	

## Electrical - Characteristics - Receiver

$V_{CC}=3.14V$  to  $3.46V, T_C$

Parameter	Symbol	Min	Typ	Max	Unit	Remarks
Differential data output swing	$V_{OUT\_PP}$	300		850	mV	
Data output rise time/fall time (20%-80%)	$t_r/t_f$	28			ps	
LOS Fault	$V_{LOS\_A}$	2		$V_{CC\_HOST}$	V	
LOS Normal	$V_{LOS\_D}$	$V_{EE}$		$V_{EE}+0.5$	V	

## A0/A2 Write Protection

Security Level 1 Password		
Password Entry Addr	Size	Vaules(hex)
Page A2, 7BH-7EH	4	00 00 10 11

This module has the A0 / A2 write protection function. The user can enter the security level 1 working state and write the contents of Table 00 and Table 01 of the device address A0H and A2H of the module. The method to enter the working state of security level 1 is to write the security level 1 password in order in the 7BH-7EH registers of A2H of the module. After entering security level 1, the user can directly write to the contents of the A0H device address, or modify the contents of the A2H 7F table selection register to write to the contents of Table 00 or Table 01. This version of the module does not support users to modify the password of security level 1. If you need to modify the security level 1 password, you must notify our company to modify it before shipping.

## I2C Memory Map(Page A0 HEX,Unlisted Fields are Blank/Empty)

IIC ADDR	Size	Name	Description	Vaules(HEX)
0	1	Identifier	SFP	03
1	1	Extended Identifier	Extended Identifier	04
2	1	Connector	Connector Type=LC	07
3-10	8	Transceiver	Code for electronic or optical compatibility	80 00 00 00 00 00 00 00
11	1	Encoding	Code for high speed serial encoding algorithm	03
12	1	BR,Nominal	Nominal Bit Rate 10.3Gb/s	67
13	1	Rate Identifier	Type of rate select functionality	00
14	1	Lenth(9μm)-km	100km Link Length in Thousands of Meters / SMF	64
15	1	Lenth(9μm)-100m	9-micron MMF Link Length = N/A	FF
16	1	Lenth(50μm)-10m	50-micron MMF Link Length = N/A	00
17	1	Lenth(62.5μm)-10m	62.5-micron MMF Link Length = N/A	00
18	1	Lenth(Copper)	Copper Link Length = N/A	00
19	1	Reserved	Reserved	00

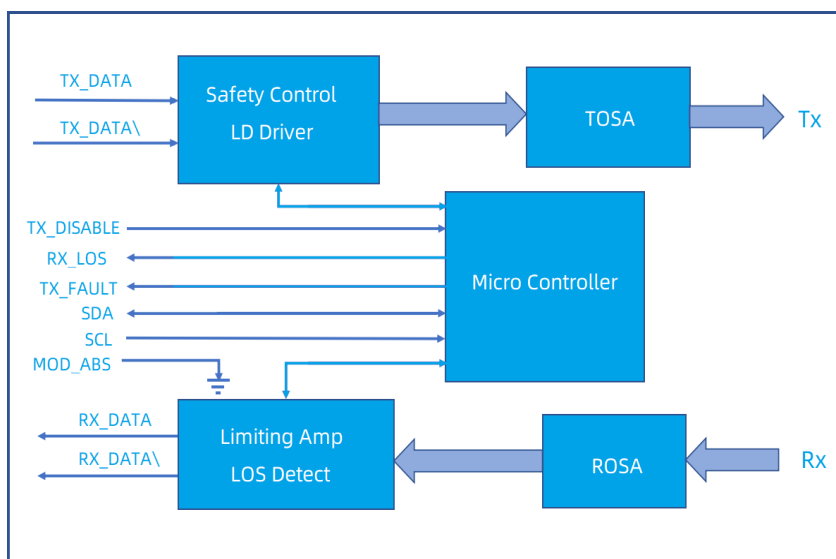
20-35	16	Vendor name	ModuleTek	ASCII Format
36	1	Transceiver	Code for electronic or optical compatibility	00
37-39	3	Vendor OUI	SFP Vendor IEEE Company ID	ASCII Format
40-55	16	Vendor PN	The Part number in the Ordering Information	ASCII Format
56-59	4	Vendor Revision Number	Vendor Revision Number	Programmed by Factory
60-61	2	Wavelength	Wavelength	according to actual wavelength
62	1	Reserved	Reserved	00
63	1	CC_BASE	Check sum of bytes 0-62	Programmed by Factory
64-65	2	Transceiver Options	1.Rx_LOS 2.Tx_FAULT 3.Tx_DIS	00 1A
66	1	BR, max	Upper bit rate margin	00
67	1	BR, min	Lower bit rate margin	00
68-83	16	Vendor SN	Vendor SN	Programmed by Factory
84-91	8	Date code	Year,Month,Day	Programmed by Factory
92	1	Monitoring Type	Internally Calibrated Received power measurement type-Average Power	68
93	1	Enhanced Options	1. Optional Alarm/Warning Flags Implemented 2. Soft Tx_DIS Monitor and Control 3. Soft Rx_LOS Monitor 4.Soft Tx_FAULT Monitor	F0
94	1	SFF-8472 Compliance	Indicates which revision of SFF-8472 the transceiver complies with	08
95	1	CC_EXT	Check sum of bytes 64-94	Programmed by Factory
96-127	32	Vendor Specific	Vendor Specific EEPROM	Programmed by Factory
128-255	128	Vendor Specific	Vendor Specific	Programmed by Factory

## Digital Diagnostic Functions

SFP-10G-DWDM-100KM-xx.xx-x-D10 supports the 2-wire serial communication protocol as defined in SFF-8472. Digital diagnostic information is accessible over the 2-wire interface at the address 0xA2. Digital diagnostics for SFP-10G-DWDM-100KM-xx.xx-x-D10 are internally calibrated by default. The internal micro control unit accesses the device operating parameters in real time, Such as transceiver temperature, laser bias current, transmitted optical power, received optical power and transceiver supply voltage. The module implements the alarm function of the SFF-8472, alerts the user when a particular operating parameter exceeds the factory-set normal range.

Digital Diagnostic Threshold Range					
Parameter		High Alarm(hex)	High Warning(hex)	Low Warning(hex)	Low Alarm(hex)
Temperature (°C)	C	75 (0x4B00)	70 (0x4600)	0 (0x0000)	-5 (0xFB00)
	I	90 (0x5A00)	85 (0x5500)	-40 (0xD800)	-45 (0xD300)
Voltage (V)		3.63 (0x8DCC)	3.46 (0x8728)	3.13 (0x7A44)	2.97 (0x7404)
Bias Current (mA)		100 (0xC350)	95 (0xB98C)	20 (0x2710)	15 (0x1D4C)
Tx Power (μW)		3014.2 (0x75BE)	2512 (0x621E)	1000 (0x2710)	800 (0x1F40)
Rx Power (μW)		251.7 (0x09D5)	188.8 (0x0760)	2.9 (0x001D)	1.9 (0x0013)

## Block-Diagram-of-Transceiver



## Functions Description

The transmitter consists of a laser driver chip and a TOSA (light-emitting component). The TOSA includes a DFB laser, a TEC, and a backlight diode. TEC (Thermo Electric Cooler) Controls the temperature of the laser tube. When a temperature is set, the TOSA temperature of the module will remain unchanged through the control of the TEC. The wavelength of the module laser tube is related to the temperature of the laser tube. The module wavelength can be set by setting the TOSA temperature. When stable, the module has excellent wavelength stability. The electrical signal enters the optical module from the serial electrical interface and is then input to the laser driver chip. The laser driver chip supplies the bias current and the modulation current to the laser. The laser driver chip simultaneously uses an automatic optical power control (APC) feedback loop to maintain a constant average optical power of the laser output. The purpose is to eliminate the change of the output optical signal due to temperature changes and aging of the light source device. When the transmitter enable pin (TX\_Disable) is high (TTL logic "1"), the laser output is turned off. When TX\_Disable is low (TTL logic "0"), the laser will turn on within 1ms. When the transmitter fault signal (TX\_Fault) is reported as high, indicates a transmitter failure caused by the transmitter's bias current or transmitted optical power or laser tube temperature exceeding a preset alarm threshold. Low indicates normal operation.

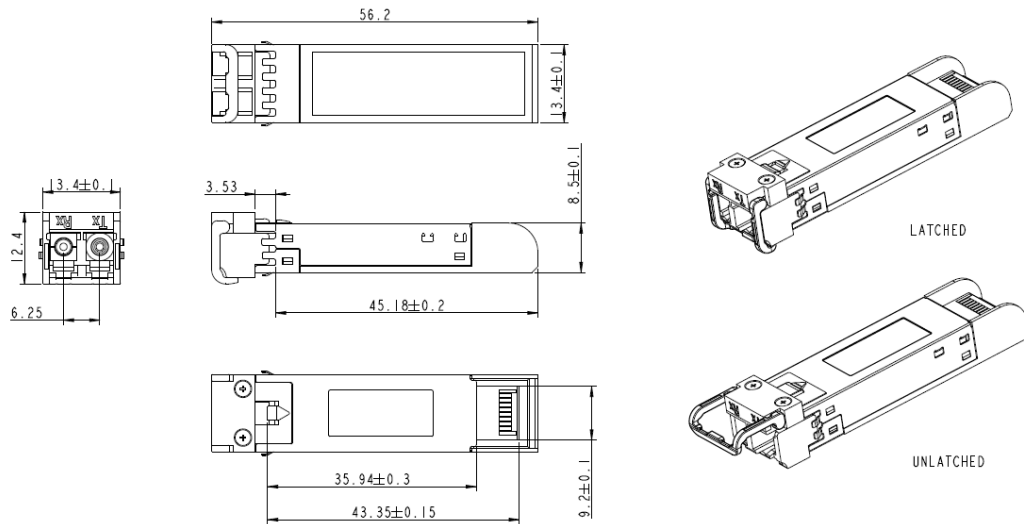
The receiver consists of a ROSA (light-receiving component) and a limiting amplifier chip, ROSA includes a APD photodetector and a transimpedance amplifier chip. The ROSA detects the incident optical signal, converts the optical signal into an electrical signal, and outputs the electrical signal to the limiting amplifier. The electrical signal is further amplified by the limiting amplifier, then outputs a fixed-amplitude electrical signal to the host. When the amplitude of the electrical signal received from the incident light conversion of the opposite optical transceiver module is lower than the set threshold, the module reports that the received signal is lost, the RX\_LOS pin is high (logic "1"), which can be used to diagnose whether the physical signal is normal. The

signal is operated in TTL level. The microprocessor inside the module monitors the module's operating voltage, temperature, transmitted optical power, received optical power, and laser bias current value in real time. The host acquires this information over a 2-wire serial bus.

## Dimensions

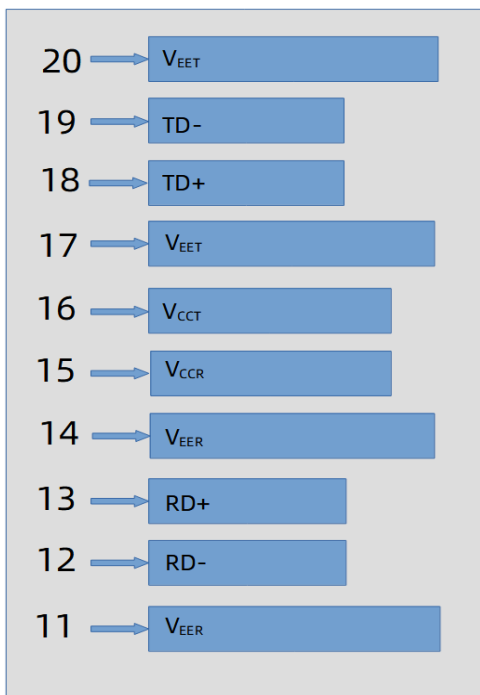
**Module Weight: 16.5g**

**Dust Cap Weight: 0.95g**

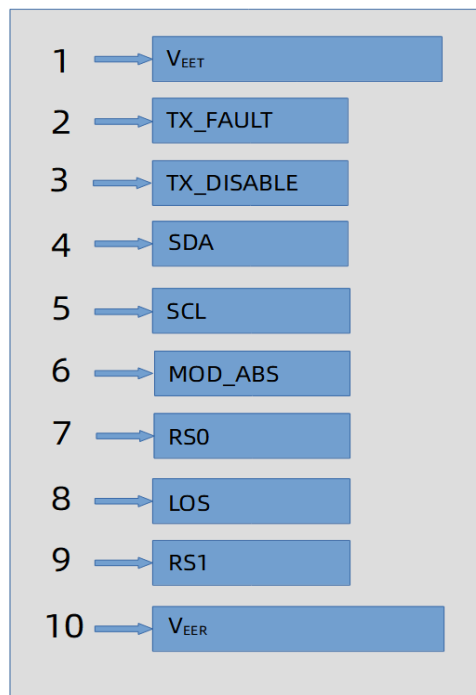


ALL DIMENSIONS ARE ±0.2mm UNLESS OTHERWISE SPECIFIED  
UNIT: mm

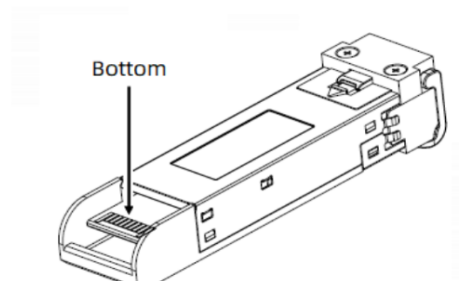
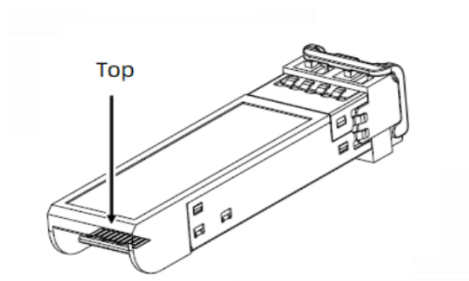
## Electrical Pad Layout



Top of Board



Bottom of Board



## Pin Assignment

PIN #	Symbol	Description	Remarks
1	V <sub>EET</sub>	Transmitter ground (common with receiver ground)	1
2	TX_FAULT	Transmitter Fault.	
3	TX_DISABLE	Transmitter Disable. Laser output disabled on high or open	2
4	SDA	2-wire Serial Interface Data Line	3
5	SCL	2-wire Serial Interface Clock Line	3
6	MOD_ABS	Module Absent. Grounded within the module	3
7	RS0	Rate Select 0 (not used)	
8	LOS	Loss of Signal indication. Logic 0 indicates normal operation	4
9	RS1	Rate Select 1 (not used)	1
10	V <sub>EER</sub>	Receiver ground (common with transmitter ground)	1
11	V <sub>EER</sub>	Receiver ground (common with transmitter ground)	1
12	RD-	Receiver Inverted DATA out. AC coupled	
13	RD+	Receiver Non-inverted DATA out. AC coupled	
14	V <sub>EER</sub>	Receiver ground (common with transmitter ground)	1
15	V <sub>CCR</sub>	Receiver power supply	
16	V <sub>CCT</sub>	Transmitter power supply	
17	V <sub>EET</sub>	Transmitter ground (common with receiver ground)	1
18	TD+	Transmitter Non-Inverted DATA in. AC coupled	
19	TD-	Transmitter Inverted DATA in. AC coupled	
20	V <sub>EET</sub>	Transmitter ground (common with receiver ground)	1

### Notes:

1. Circuit ground is isolated from chassis ground
2. Disabled: T<sub>DIS</sub>>2V or open, Enabled: T<sub>DIS</sub><0.8V
3. Should Be pulled up with 4.7k-10k ohm on host board to a voltage between 2V and 3.46V
4. LOS is open collector output

## References

1. IEEE standard 802.3ae. IEEE Standard Department, 2005.
2. Enhanced 8.5 and 10GBASE Small Form Factor Pluggable Module "SFP+" – SFF-8431.
3. Digital Diagnostics Monitoring Interface for Optical Transceivers – SFF-8472.